

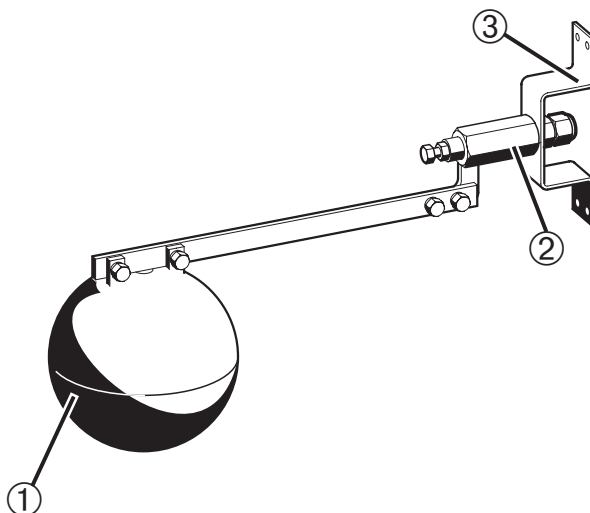
## 70-610

### Einbau-Anleitung • Installation Instructions Instructions de montage • Istruzioni di montaggio

# E1

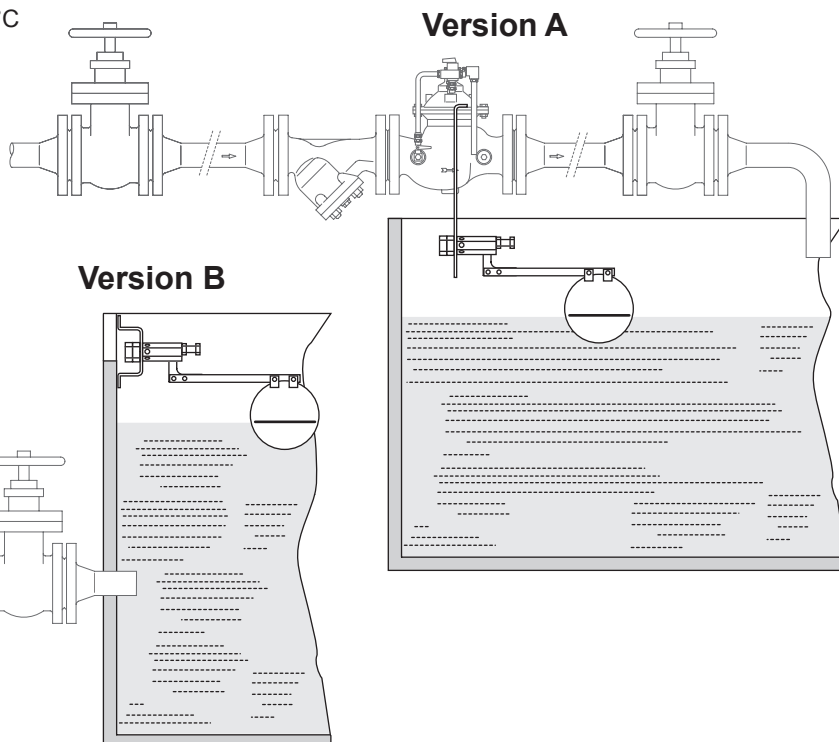
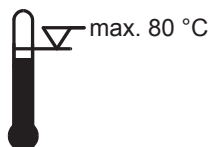
## Bauteile • Components • Pièces • Componenti

- ①= Schwimmer  
Float  
Nageur  
Galleggiante
- ②= Pilotventil  
Pilot valve  
Vanne pilote  
Valvola pilota
- ③= Trägerplatte  
Suspension plate  
Porteur  
Piastra di supporto



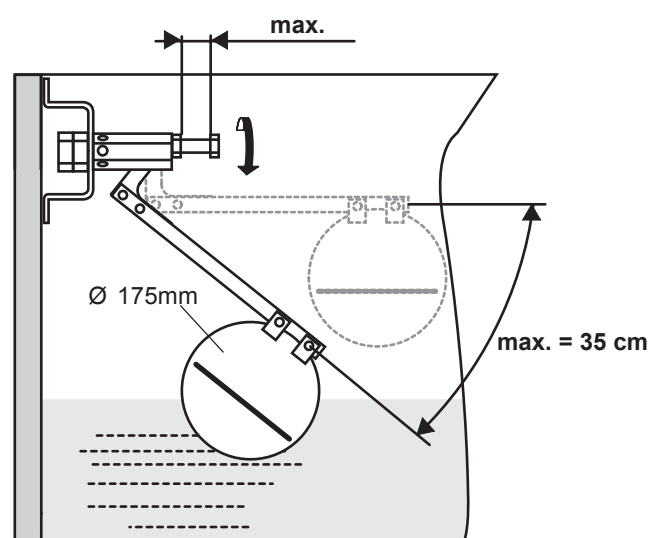
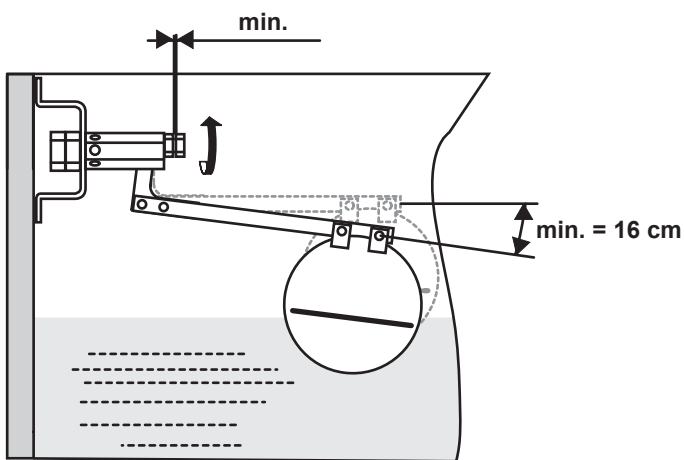
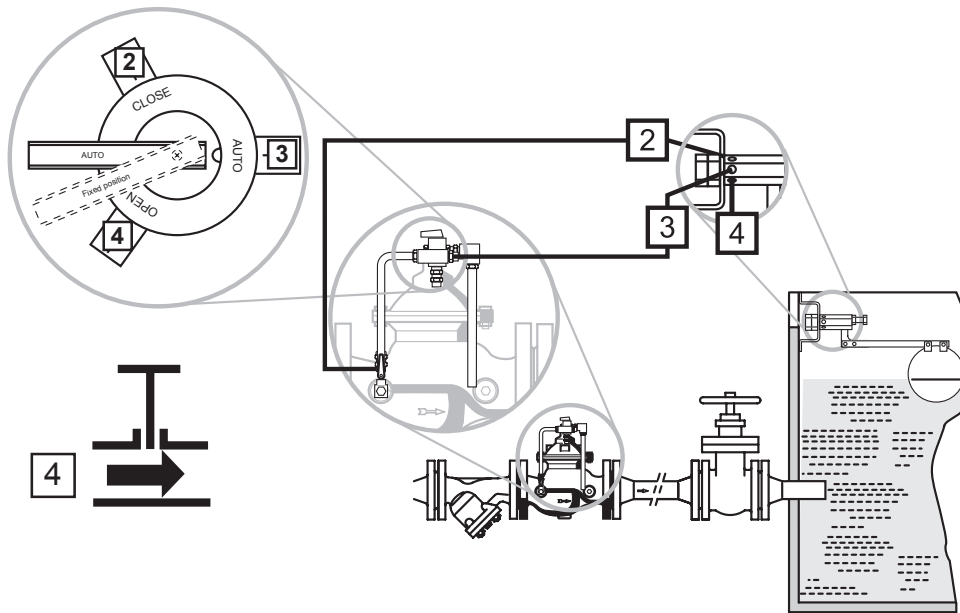
# E2

## Einbau • Installation • Installation • Installazione



# E3

Inbetriebnahme • Commissioning • Mise en service  
Messa in servizio



## Automation and Control Solutions

Honeywell GmbH  
Hardhofweg  
74821 MOSBACH  
GERMANY  
Phone: (49) 6261 810  
Fax: (49) 6261 81309  
www.honeywell.com

Manufactured for and on behalf of the Environmental  
and Combustion Controls Division of Honeywell  
Technologies Sàrl, Rolle, Z.A. La Pièce 16, Switzerland  
by its Authorised Representative Honeywell GmbH

MU1H-1340GE23 R0212  
Subject to change without notice  
© 2012 Honeywell GmbH

# Honeywell